



ThinManager® Xi-Series



Xi-Series | Industrial Computer (ThinManager®)

DYNICS ThinManager® Xi-Series features core embedded processors in a compact form factor that is ThinManager® enabled, making these five minicomputers powerful and effective for various production applications. Their fan-less design with no moving parts makes these computers suitable solutions in industrial environments. The XiR2-TM offers multi-monitor capabilities with up to four 4K HDMI connections.

- NEMA 4 / IP65 Rated for XiS Only
- Din Rail and Bracket Mounting Options (N/A for XiS)
- 24VDC Power Entry
- Aluminum Heatsink
- ThinManager® Ready

PC SPECIFICATIONS



Model: **XiAD-TM-001** **XiAN-TM-001** **XiA2-TM-001** **XiR2-TM-001** **XiS-TM-001**

TYPE

	Desktop IP20	IP50 Sealed		IP65 Sealed
I/O PORTS				
1Gb Ethernet Ports	2x	2x	2x	2x (X-Code)
USB 3.0 Ports	2x	2x	2x	2x
USB 2.0 Ports	-	-	4x	1x
RS232/422/485 Ports	-	-	1x	2x
RS232 Ports	-	-	1x	-
Analog VGA Video Ports	1x	1x	1x	-
HDMI Ports	1x	1x	1x	4x
DVI Ports	-	-	-	4x
Audio Jack (Line Out)	1x	1x	1x	-
CPU	Apollo Lake Celeron® N3350		AMD® RYZEN™ V1605B	
CPU Speed	Up to 2.4GHz Turbo 2MB Cache, 2 Cores, 2 Threads		Up to 3.6 GHz Turbo 4MB Cache, 4 Cores, 8 Threads	
Memory	4GB DDR3		8GB DDR4	
ThinManager® ID	BTMA (shown in ThinManager® S/W)		XIR (shown in ThinManager® S/W)	
ThinManager® Server System Requirements	Minimum requirements ThinManager® 11.0 or newer, TermCap 9.12.1.43 or newer, and firmware package 11.0.0 or newer; Recommended ThinManager® V12.0, no updates required. Termcap.db.9.12.1.43 termcap file Term-pack-11.0.0.pkg firmware package <i>Note: 4K resolution supported on all models, except XiS</i>			
Power Supply	24VDC Power Entry (3-Pin Quick Disconnect Included, Barrell Jack Input on XiAD, 4-PIN circular on XiS) XiAD-TM ships with 100-240 VAC Desktop Brick , Contact Dynics for External Power Supply Options for all other models.			
Temperature	Operating: 0° - 50°C (32° - 122°F) Non-Operating: -25° - 60°C (-13° - 140°F)			
Relative Humidity	Non-Condensing: 20% - 80%			
Compliance	- USA: UL Listed, UL61010-1+UL 61010-2-201, FCC 47CFR Part 15 Class A (Excludes XiS-TM-001) - Canada: cUL Listed, CSA C22.2 No. 61010-1-12+CSA C22.2 NO. 61010-2-201, ICES-001, Class A (Excludes XiS-TM-001) - EU: RoHS Directive 2011/65/EU, EN 50581, EMC Directive 2014/30/EU, EN 61326-1, Low Voltage Directive 2014/35/EU, EN 61010-1+EN 61010-2-201			

I/O PORTS

1Gb Ethernet Ports
USB 3.0 Ports
USB 2.0 Ports
RS232/422/485 Ports
RS232 Ports
Analog VGA Video Ports
HDMI Ports
DVI Ports
Audio Jack (Line Out)

CPU

CPU Speed

Memory

ThinManager® ID

ThinManager® Server System Requirements

Power Supply

Temperature
Relative Humidity

Compliance



OPTIONAL ACCESSORIES

PWR-24V-BRK-40W-3PIN 40 Watt AC to DC Desktop Brick Power Supply, 6 Ft US AC Power Cable, 3-PIN DC Cable, **Recommended for XiAN, and XiA2 only**

PWR-24V-BRK-65W-3PIN 65 Watt AC to DC Desktop Brick Power Supply, 6 Ft US AC Power Cable, 3-PIN DC Cable, **Recommended for XiR, Will work with XiAN, and XiA2**

PWR-24V-2.5ADC-ECO-RAIL ECO-RAIL-2 Industrial DIN Rail Mount 60 W Power Supply, 90-264 VAC Input, 24VDC, 2.5ADC Output, , **Recommended for XiAN, and XiA2 only**

PWR-24V-5ADC-ECO-RAIL ECO-RAIL-2 Industrial DIN Rail Mount 120 W Power Supply, 90-130 or 173-264 VAC Input, 24VDC, 5.0ADC Output, **Recommended for XiR, Will work with XiAN, and XiA2**



DIMENSIONS, WEIGHT AND POWER CONSUMPTION

	HEIGHT	WIDTH	DEPTH	WEIGHT*	POWER CONSUMPTION**
XiAD-TM	8.86" (224.9mm)	2.05" (52.1mm) Desktop Stand: 4.4" (111.9mm)	5.1" (129.5mm) Desktop Stand: 6.5" (165.1mm)	2.7 lbs. (1.2kg)	15 Watts
XiAN-TM	7.1" (180.3mm)	1.93" (48.9mm)	5.1" (129.5mm)	2.5 lbs. (1.1kg)	15 Watts
XiA2-TM	7.1" (180.3mm)	3.15" (80.0mm)	5.1" (129.5mm)	3 lbs. (1.4kg)	16 Watts
XiR2-TM	7.1" (180.3mm)	3.15" (80.0mm)	5.1" (129.5mm)	3 lbs. (1.4kg)	65 Watts
XiS-TM	4.0 (101.6mm)	9.1 (231.2mm)	9.0 (228.6mm)	9.0 (4.1kg)	65 Watts

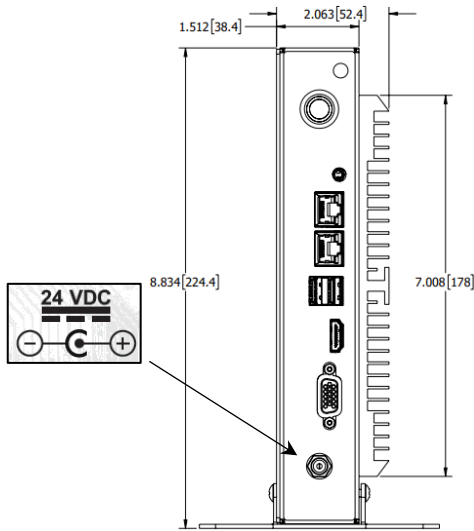
*Weights are approximate, contact DYNICS for details.

**Power Consumption based on maximum ratings, actual ratings vary significantly based on components used.

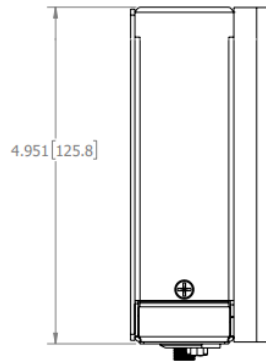


MECHANICAL DRAWINGS

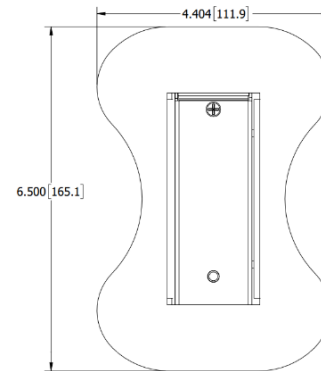
XiAD-TM FRONT VIEW
Power Entry



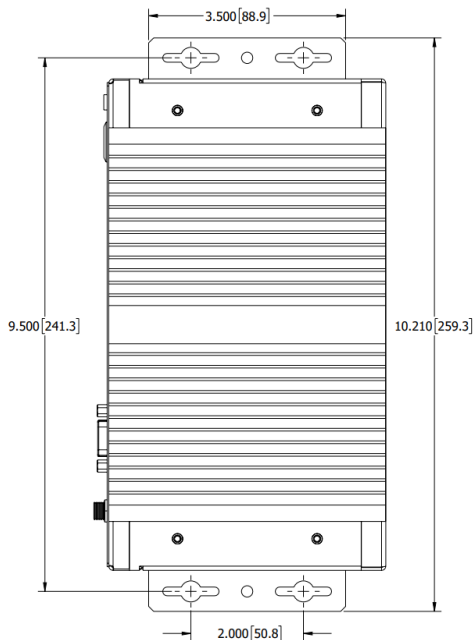
XiAD-TM TOP VIEW



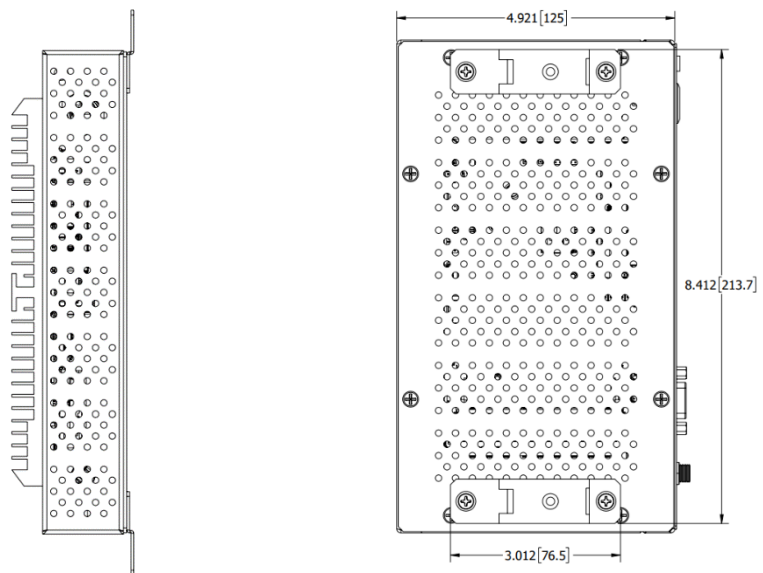
XiAD-TM BOTTOM VIEW
(Desktop Stand)



XiAD-TM SIDE VIEW
(w/ Panel Mount Brackets)



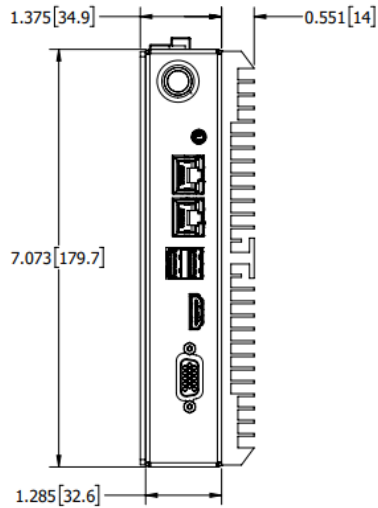
XiAD-TM SIDE VIEW
(w/ DIN Rail Mounts)



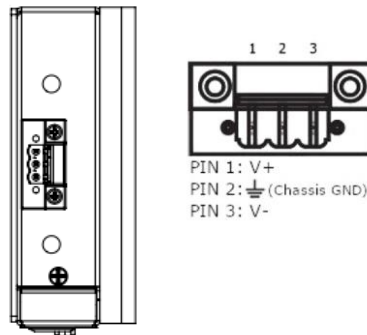
All measurements are in inches and pounds, unless noted. Pictures and drawings are not to scale. Estimated weight may change depending on options. DYNICS Reserves the right to change, modify, upgrade, or discontinue any part of this datasheet without any prior notice



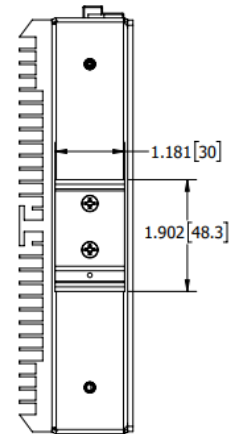
XiAN-TM FRONT VIEW



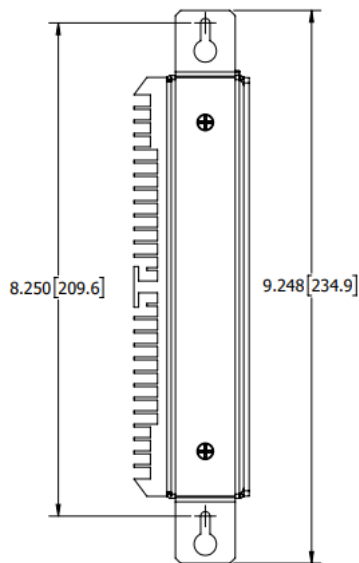
**XiAN-TM TOP VIEW
Power Entry**



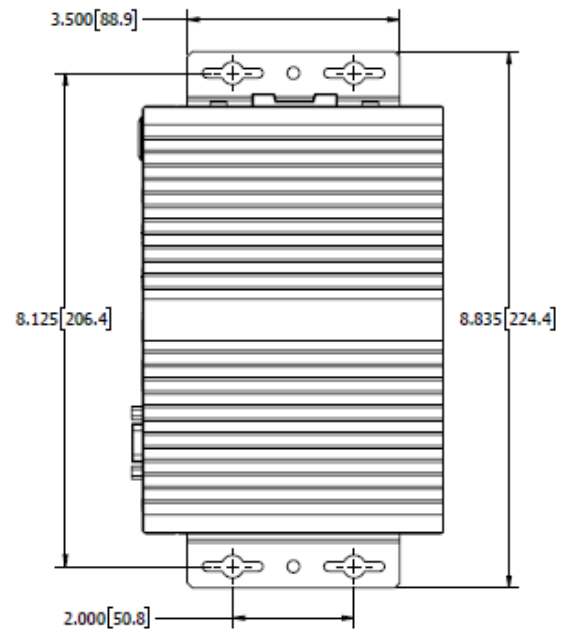
**XiAN-TM BACK VIEW
(w/ DIN Rail Mount)**



**XiAN-TM BACK VIEW
(w/ Panel Mount Brackets)**



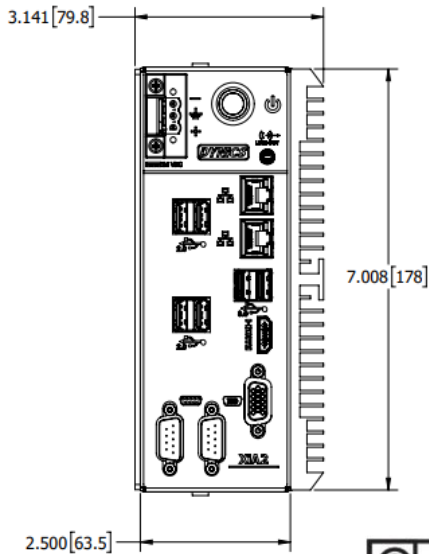
**XiAN-TM SIDE VIEW
(w/ Shelf Mount Brackets)**



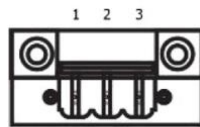
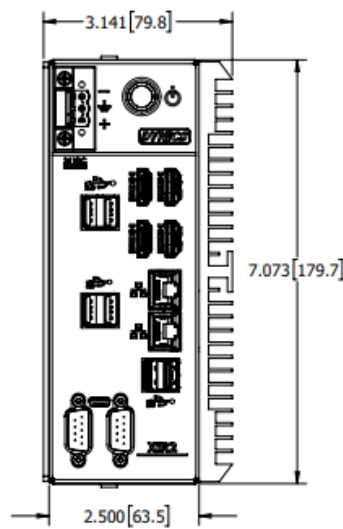
All measurements are in inches and pounds, unless noted. Pictures and drawings are not to scale. Estimated weight may change depending on options. DYNICS Reserves the right to change, modify, upgrade, or discontinue any part of this datasheet without any prior notice.



XiA2-TM FRONT VIEW
Power Entry

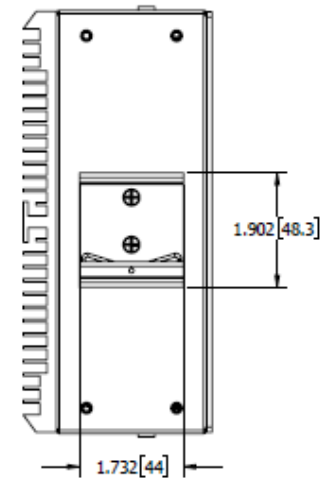


XiR2-TM FRONT VIEW
Power Entry

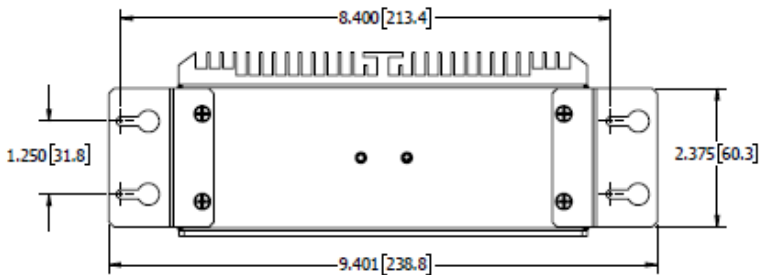


PIN 1: V+
PIN 2: (Chassis GND)
PIN 3: V-

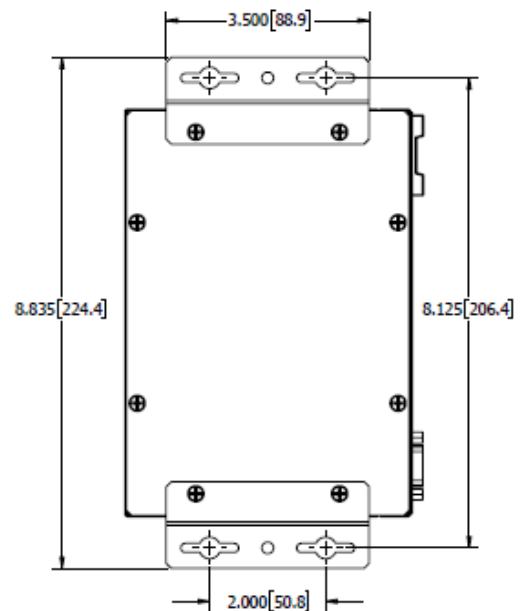
XiA2 / XiR2 BACK VIEW
(w/ DIN Rail Mount)



XiA2 / XiR2 BACK VIEW
(w/ Panel Mount Brackets)



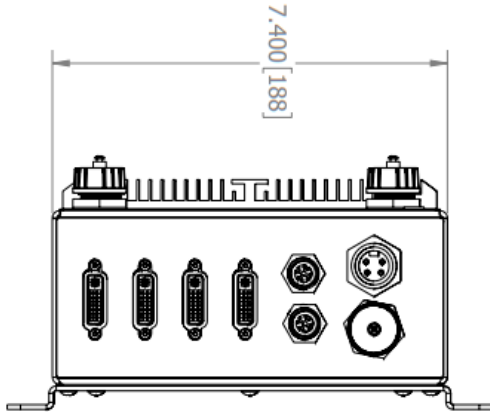
XiA2 / XiR2 SIDE VIEW
(w/ Shelf Mount Brackets)



All measurements are in inches and pounds, unless noted. Pictures and drawings are not to scale. Estimated weight may change depending on options.
DYNICS Reserves the right to change, modify, upgrade, or discontinue any part of this datasheet without any prior notice

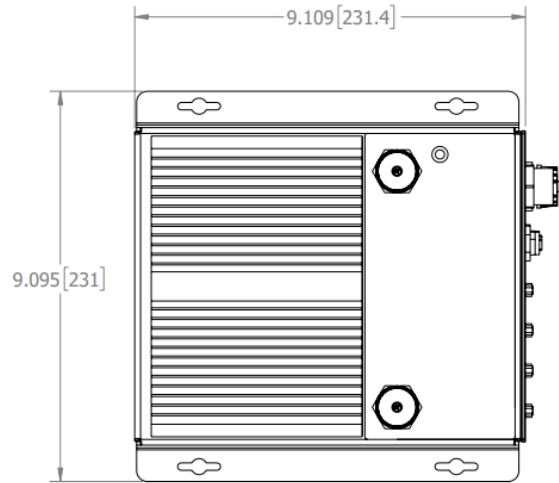


XiS-TM FRONT VIEW
Power Entry (4-Pin) 24VDC

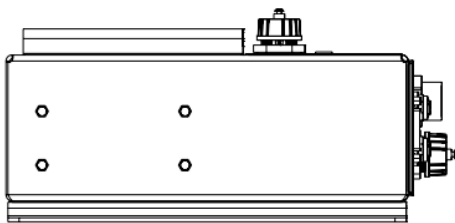


- 1 NO CONNECT
- 2 0 VDC
- 3 NO CONNECT
- 4 +24 VDC

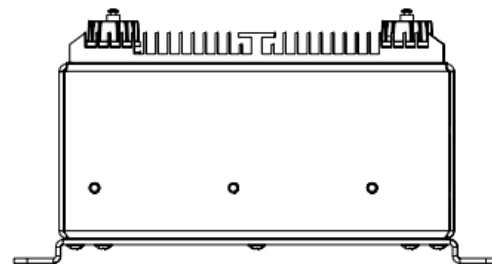
XiS-TM TOP VIEW



XiS-TM SIDE VIEW



XiS-TM BACK VIEW



All measurements are in inches and pounds, unless noted. Pictures and drawings are not to scale. Estimated weight may change depending on options. DYNICS Reserves the right to change, modify, upgrade, or discontinue any part of this datasheet without any prior notice

