



ThinManager® HW

HW | Industrial Workstation (ThinManager®)

DYNICS HW has an integrated PC in a sealed metal enclosure with ThinManager® enabled. This workstation is designed for various applications and built for industrial environments.

- NEMA 4 / IP65 Rated
- VESA / Wall Bracket Mount System with Up to 20° Tilt
- 100~240VAC / 24VDC Power Entry
- ThinManager® Ready

DISPLAY SPECIFICATIONS

SIZE	15.6"	18.5"	21.5"	24"
RESOLUTION	FHD 1920 x 1080	FHD 1920 x 1080	FHD 1920 x 1080	FHD 1920 x 1080
VIEW ANGLE	H: -80°/+80° V: -80°/+80°	H: -85°/+85° V: -80°/+80°	H: -89°/+89° V: -89°/+89°	H: -89°/+89° V: -89°/+89°
CONTRAST	800:1	1500:1	5000:1	3000:1
BRIGHTNESS	600 nits	400 nits	300 nits	300 nits
ASPECT RATIO	16:9	16:9	16:9	16:9
LENS	5-Wire Analog Resistive (Touch Screen)			
LCD LIFE	50,000 Hour Backlight Half-Life			
ENCLOSURE	NEMA 4 Powder Coat Finish/ RAL 7035 Peel Finish (NEMA 4X Stainless Steel Food Grade Available, Call Dynics) 0-20° Tilt Bracket included with 60,100,150,200, & 250 VESA mounts (can also be used for wall mounting)			

PC SPECIFICATIONS

COMPUTER I/O	Intel® Apollo Lake
RJ45 Ethernet Ports	2x
USB 3.0 Ports	2x
CPU	Intel® Apollo Lake N3350
CPU SPEED	Up to 2.4 GHz, 2MB Cache (2 Cores, 2 Threads)
MEMORY	4GB DDR3
THINMANAGER®	ThinManager® Enabled
THINMANAGER® SERVER SYSTEM REQUIREMENTS	Minimum requirements ThinManager® 11.0 or newer, TermCap 9.12.1.43 or newer, and firmware package 11.0.0 or newer; Recommended ThinManager® V12.0, no updates required. Termcap.db.9.12.1.43 termcap file Termpack-11.0.0.pkg firmware package 100~240VAC (3-Pin) / 24VDC (4-Pin) Power Entry
POWER SUPPLY	Operating: 0°-50°C 32°-122°F Non-Operating: -25°-60°C -13°-140°F
TEMPERATURE	Non-Condensing: 20% - 80%
RELATIVE HUMIDITY	Operating: 10G Non-Operating: 15G
SHOCK	Operating: 1.0G from 57~2000Hz Non-Operating: 2.5G from 57~2000Hz
VIBRATION	VESA / Wall Bracket Mount System with Up to 20° Tilt
INCLUDED	European Union Directive 2011/65/EU (RoHS)
COMPLIANCE	24-Month limited warranty. Extended warranty available, contact DYNICS for more details.
WARRANTY	

(See Page 2 for Orderable Part Numbers)



ThinManager® HW

ORDERABLE PART NUMBERS

Part Number	I/O Description
HW15PT-DC-TM-001	HW15 – 15.6" LCD FHD 16:9 Aspect Ratio, 5-Wire Resistive Touch, NEMA 4 Black Powder Coat with Thin Manager Enabled: Intel Apollo Lake N3350 Dual Core up to 2.4GHz Turbo embedded processor, 4GB DDR3 RAM, 24VDC Power Entry (3-Pin Quick Disconnect Included), fanless, no moving parts, aluminum heat sink. 2x 1Gb Ethernet, 1x VGA, 2x USB 3.0
HW15PT-AC-TM-001	HW15 – 15.6" LCD FHD 16:9 Aspect Ratio, 5-Wire Resistive Touch, NEMA 4 Black Powder Coat with Thin Manager Enabled: Intel Apollo Lake N3350 Dual Core up to 2.4GHz Turbo embedded processor, 4GB DDR3 RAM, 100~240 VAC Power Entry (6Ft Power Cable Included), fanless, no moving parts, aluminum heat sink. 2x 1Gb Ethernet, 1x VGA, 2x USB 3.0
HW19PT-DC-TM-001	HW19 – 18.5" LCD FHD 16:9 Aspect Ratio, 5-Wire Resistive Touch, NEMA 4 Black Powder Coat with Thin Manager Enabled: Intel Apollo Lake N3350 Dual Core up to 2.4GHz Turbo embedded processor, 4GB DDR3 RAM, 24VDC Power Entry (3-Pin Quick Disconnect Included), fanless, no moving parts, aluminum heat sink. 2x 1Gb Ethernet, 1x VGA, 2x USB 3.0
HW19PT-AC-TM-001	HW19 – 18.5" LCD FHD 16:9 Aspect Ratio, 5-Wire Resistive Touch, NEMA 4 Black Powder Coat with Thin Manager Enabled: Intel Apollo Lake N3350 Dual Core up to 2.4GHz Turbo embedded processor, 4GB DDR3 RAM, 100~240 VAC Power Entry (6Ft Power Cable Included), fanless, no moving parts, aluminum heat sink. 2x 1Gb Ethernet, 1x VGA, 2x USB 3.0
HW22PT-DC-TM-001	HW22 – 21.5" LCD FHD 16:9 Aspect Ratio, 5-Wire Resistive Touch, NEMA 4 Black Powder Coat with Thin Manager Enabled: Intel Apollo Lake N3350 Dual Core up to 2.4GHz Turbo embedded processor, 4GB DDR3 RAM, 24VDC Power Entry (3-Pin Quick Disconnect Included), fanless, no moving parts, aluminum heat sink. 2x 1Gb Ethernet, 1x VGA, 2x USB 3.0
HW22PT-AC-TM-001	HW22 – 21.5" LCD FHD 16:9 Aspect Ratio, 5-Wire Resistive Touch, NEMA 4 Black Powder Coat with Thin Manager Enabled: Intel Apollo Lake N3350 Dual Core up to 2.4GHz Turbo embedded processor, 4GB DDR3 RAM, 100~240 VAC Power Entry (6Ft Power Cable Included), fanless, no moving parts, aluminum heat sink. 2x 1Gb Ethernet, 1x VGA, 2x USB 3.0
HW24PT-DC-TM-001	HW24 – 24" LCD FHD 16:9 Aspect Ratio, 5-Wire Resistive Touch, NEMA 4 Black Powder Coat with Thin Manager Enabled: Intel Apollo Lake N3350 Dual Core up to 2.4GHz Turbo embedded processor, 4GB DDR3 RAM, 24VDC Power Entry (3-Pin Quick Disconnect Included), fanless, no moving parts, aluminum heat sink. 2x 1Gb Ethernet, 1x VGA, 2x USB 3.0
HW24PT-AC-TM-001	HW24 – 24" LCD FHD 16:9 Aspect Ratio, 5-Wire Resistive Touch, NEMA 4 Black Powder Coat with Thin Manager Enabled: Intel Apollo Lake N3350 Dual Core up to 2.4GHz Turbo embedded processor, 4GB DDR3 RAM, 100~240 VAC Power Entry (6Ft Power Cable Included), fanless, no moving parts, aluminum heat sink. 2x 1Gb Ethernet, 1x VGA, 2x USB 3.0

DIMENSIONS, WEIGHT AND POWER CONSUMPTION

	15.6"	18.5"	21.5"	24"
HEIGHT	11.8" (298.5mm)	13.1" (331.5mm)	15.0" (381.8mm)	15.4" (402.1mm)
WIDTH	17.5" (445.5mm)	19.8" (503.1mm)	22.6" (574.2mm)	24.9" (630.3mm)
DEPTH (With Mounting Brackets)	6.8" (172.7mm)	6.8" (172.7mm)	6.8" (172.7mm)	6." (152.4mm)
WEIGHT	25 lbs.*	29 lbs.*	35 lbs.*	37 lbs.*
POWER CONSUMPTION	35 Watts**	50 Watts**	50 Watts**	55 Watts**

*Weights are approximate, contact DYNICS for details.

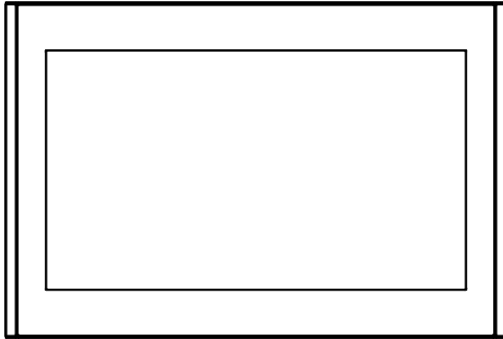
**Power Consumption based on maximum ratings, actual ratings vary significantly based on components used.



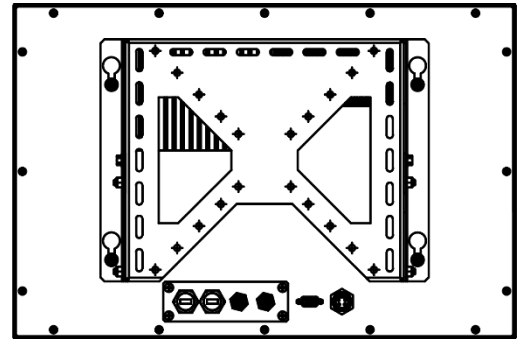
ThinManager® HW

MECHANICAL DRAWINGS

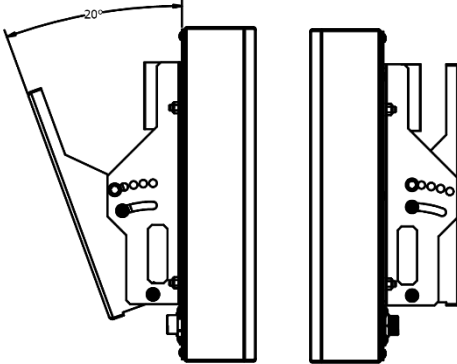
FRONT VIEW



BACK VIEW



SIDE VIEW

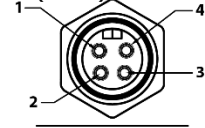


POWER ENTRIES

(3-Pin) 100~240VAC



(4-Pin) 24VDC



- 1 0VDC
- 2 0VDC
- 3 +24VDC
- 4 +24VDC

*All measurements are in inches and pounds, unless noted. Pictures and drawings are not to scale. Estimated weight may change depending on options. DYNICS Reserves the right to change, modify, upgrade, or discontinue any part of this datasheet without any prior notice