

# ICS-DEFENDER-IP65

## Datasheet



### ICS-DEFENDER-IP65 | Industrial Sealed IP65 Security Appliance

DYNICS ICS-DEFENDER-IP65 is a sealed Industrial Control System Security Appliance hosting the ICS-Defender Security platform from DYNICS. The IP65 sealed hardware is capable of a Firewall with Deep Packet Inspection, VPN Server and Client, and so much more! ICS-Defender supports popular Industry standard protocols and can auto-learn industrial network traffic to minimize manual rule creation. The IP65 chassis can act as a 4-Port Switch or Router in conjunction along with all the other great features mentioned.

#### Key Features

- **ICS-DEFENDER pre-loaded** (see chart for Version & Feature Selection)
- Sealed IP65 Chassis
- DC Power Input
- 4x X or D-Coded NICs
- 4-Pin DC Power Entry
- 2x USB 3.0 Ports
- Digital Video Port (DVI)

### Hardware Specifications

ICS-DEFENDER-IP65	
<b>NICS</b>	4x 1Gb X-Coded or D-Coded Ethernet Ports (Indicate when ordering)
<b>Power Supply</b>	24 VDC Power Entry, 4-PIN M12 Input Connector
<b>Temperature</b>	Operating: 0° - 50°C (32° - 122°F) Non-Operating: -25° - 60°C (-13° - 140°F)
<b>Relative Humidity</b>	Non-Condensing: 20% -80%
<b>Shock</b>	Operating: 10G Non-Operating:15G
<b>Vibration</b>	Operating: 1.0G from 57~2000Hz Non-Operating: 2.5G from 57~2000Hz
<b>Included</b>	Mounting Brackets, 6ft Input Power Cable with Open Leads
<b>Compliance</b>	European Union Directive 2011/65/EU (RoHS)
<b>Hardware Warranty</b>	24-Month limited warranty. Extended warranty available, contact DYNICS for details.
<b>Technical Support &amp; Maintenance</b>	Available, Renews Yearly, Contact DYNICS for details.

### ICS-DEFENDER VERSION & FEATURE SELECTION

	NAT (-NAT)	REMOTE (-REM)	LITE w/o DPI (-LIT)	LITE w/ DPI (-DPI)	PRO (-PRO)
GENERAL	☑	☑	☑	☑	☑
NAT (Network Address Translation)	☑	☑	☑	☑	☑
FIREWALL	☑	☑	☑	☑	☑
VPN (Virtual Private Network)		☑	☑	☑	☑
ENTERPRISE OR LOCAL CERTIFICATE MANAGEMENT		☑	☑	☑	☑
AD/LDAP/RADIUS/LOCAL USER MANAGEMENT		☑	☑	☑	☑
DHCP (Dynamic Host Configuration Protocol)		☑	☑	☑	☑
CAPTIVE PORTAL		☑	☑	☑	☑
DNS (Domain Name System)		☑	☑	☑	☑
SCHEDULER			☑	☑	☑
NTP (Network Time Protocol)			☑	☑	☑
PACKAGES			☑	☑	☑
DEEP PACKET INSPECTION				☑	☑
DYNDNS (Dynamic Domain Name System)					☑
EXTRA SERVICES					☑
TRAFFIC SHAPER					☑
HOT STANDBY (Failover)					☑

**DPI** Deep Packet Inspection  
**NAT** Network Address Translation  
**VPN** Virtual Private Network  
**Monitoring and Reporting**  
**GUI** Control Supplier Access  
**Redundancy**



**ICS-DEFENDER-IP65**  
Datasheet



**Dimensions, Weight and Power Consumption**

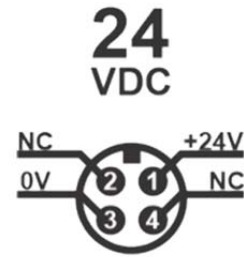
	<b>Height:</b>	<b>Width:</b>	<b>Depth:</b>	<b>Weight:</b>	<b>Power Consumption:</b>
<b>ICS-DEFENDER-IP65</b>	4.1" (104.1mm)	9.7" (246.4mm)	9.0" (228.6mm)	8.5 lbs.* (3.9kg)	20 Watts**

\*Weights are approximate, contact DYNICS for details.

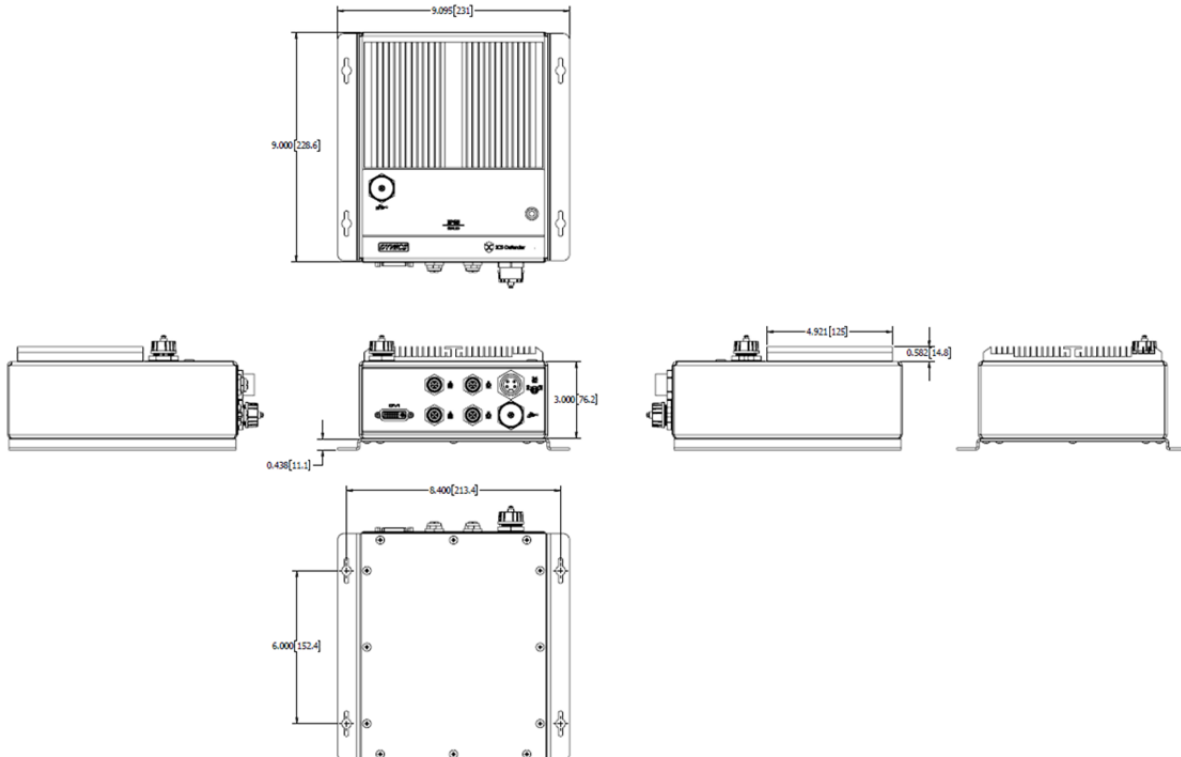
\*\*Power Consumption based on maximum ratings; actual ratings vary significantly based on components used.

**I/O Connections**

**Power Input Connection**



**Mechanical Drawings**



All measurements are in inches and pounds, unless noted. Pictures and drawings are not to scale. Estimated weight may change depending on options. DYNICS reserves the right to change, modify, upgrade, or discontinue any part of this datasheet without any prior notice.

