



FlexPanel Pro

Dynamic HMI solution designed for high-reliability environments.



Key Features

- Built to meet NEMA 4 / IP64 ingress protection standards
 - Fully Enclosed, No Wiring Design
 - Industrial PCAP Touchscreen
 - Flexible Power Entry Options
 - Portrait and Landscape Options
- Software Support for ICS360.Fusion, Codesys & ProView.HMI
 - Optional Buttons for various controls
 - Fanless, maintenance-free design

Configurable Operator Interface Options:

FPN: No physical buttons for a clean, modern HMI
FPB: Buttons located along the bottom of the unit
FPR: Buttons located along the right side of the unit



TECHNICAL SPECIFICATIONS

Display					
Size	12.1"	15.6"	18.5"	21.5"	24"
Resolution	WXGA 1280 x 800	FHD 1920 x 1080	FHD 1920 x 1080	FHD 1920 x 1080	FHD 1920 x 1080
View Angle	H: -80°/+80° V: -80°/+80°	H: -80°/+80° V: -80°/+80°	H: -85°/+85° V: -85°/+85°	H: -89°/+89° V: -89°/+89°	H: -89°/+89° V: -89°/+89°
Contrast	800:1	800:1	1500:1	5000:1	3000:1
Brightness	450 nits	400 nits	400 nits	300 nits	300 nits
Aspect Ratio	8:5	16:9	16:9	16:9	16:9
Lens	Projected Capacitive (P-CAP) Touch Screen				
LCD Life	50,000 Hour Backlight Half-Life				

System	
Processor	Intel® Processor Core™ i3-N305 Intel® Processor Alder Lake-N N97
Processor Speed	i3 - Up to 3.80 GHz, 6MB Cache (8 Cores, 8 Threads) N97 - Up to 3.6GHz, 6MB Cache (4 Cores, 4 Threads)
Memory	Up to 16GB DDR5
Storage	128-1TB M.2 2280 Solid State SATA Flash Drive

Operating Systems	
Windows	Windows 10 IoT, Windows 10 Pro, Windows 11 IoT, Windows 11 Pro
Linux	Linux

Environment	
Operating Temperature	0°-50°C 32°-122°F
Storage Temperature	-25°-60°C -13°-140°F
Relative Humidity	Non-Condensing: 20% - 80%
Altitude	Maximum of 2,000 meters

Computer I/O	
Network	Up to 4x 2.5 GB Capped RJ45 Ethernet
USB	Up to 4x USB 3.2
Display	Up to 1x DisplayPort Up to 2x HDMI
Audio	1x Out

Enclosure	
Material	Aluminum
Color	Powder Coat Finish (Black)
Mounting Options	Wall / VESA / Pedestal
Case Type	Fanless
Ingress/Type Protections	IP65 / IP66 / NEMA Type 4

Power	
Input Voltage	24VDC - Standard 7/8" Entry (4-Pin) - L-Code (5-Pin)
Consumption (Max Wattage)	12.1": 84 Watts 15.6": 89 Watts 18.5": 98.5 Watts 21.5": 96 Watts 24": 100.8 Watts



OPTIONS & ACCESSORIES

Optional Wireless & Peripherals*	
WiFi	Optional WiFi
Stacklight	Optional Stack Light Indicator
RFID	Optional RFID Reader
Vertistand	Optional Vertistand for mounting



Optional Support Software
CODESYS - Controller Development System for PLCs
ProView.HMI - Industrial digital signage control
ICS360.Fusion - Plant floor efficiency support

Included
1x Power Cable
European Power Cables available upon request.*

**Contact Dynics for more details*

WARRANTY & APPROVALS

Warranty
24-Month limited warranty. Extended warranty available. Contact Dynics for more details.

Regulatory & Certifications	
	WEEE Directive (2012/19/EU)
	RoHS Directive (2011/65/EU, (EU) 2015/863)

RELATED PRODUCTS

Product	Description	Web Link
Vertistand	Versatile Industrial Stand	VertiStand - Dynics



MECHANICAL DIMENSIONS & WEIGHTS

FPN Models - No Buttons				
Model Size	Bezel Height	Bezel Width	Depth	Weight
12.1"	9.490" (241.0mm)	13.672" (347.3mm)	9.228" (234.4mm)	14.2 lbs.
15.6"	12.205" (310.0mm)	16.339" (415.0mm)	9.390" (238.5mm)	16.1 lbs.
18.5"	13.268" (337.0mm)	19.016" (483.0mm)	8.860" (225.0mm)	20.4 lbs.
21.5"	14.119" (358.6mm)	22.270" (565.7mm)	9.622" (244.4mm)	24.8 lbs.
24"	15.500" (393.7mm)	24.640" (625.9mm)	9.560" (242.8mm)	26.1 lbs.

FPB Models - Buttons Along the Bottom				
Model Size	Bezel Height	Bezel Width	Depth	Weight
12.1"	12.670" (321.8mm)	13.642" (346.5mm)	10.048" (255.2mm)	15.9 lbs.
15.6"	14.717" (373.8mm)	17.365" (441.1mm)	10.173" (258.4mm)	19.5 lbs.
18.5"	16.598" (421.6mm)	19.070" (484.4mm)	10.235" (260.0mm)	23.5 lbs.
21.5"	17.83" (452.9mm)	22.270" (565.7mm)	10.235" (260.0mm)	28.8 lbs.
24"	19.156" (486.6mm)	24.640" (625.9mm)	10.173" (258.4mm)	30.3 lbs.

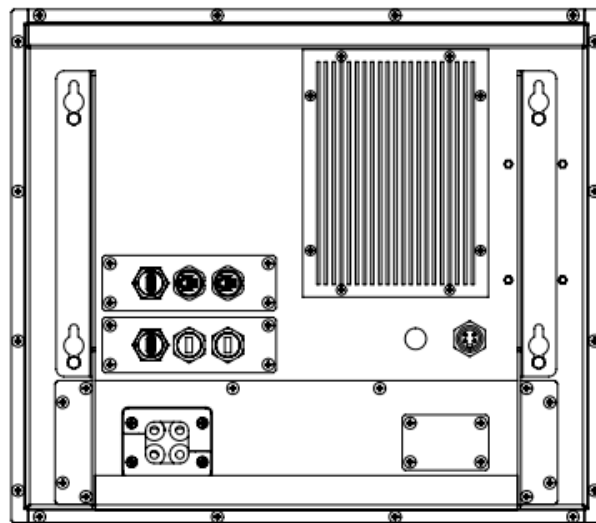
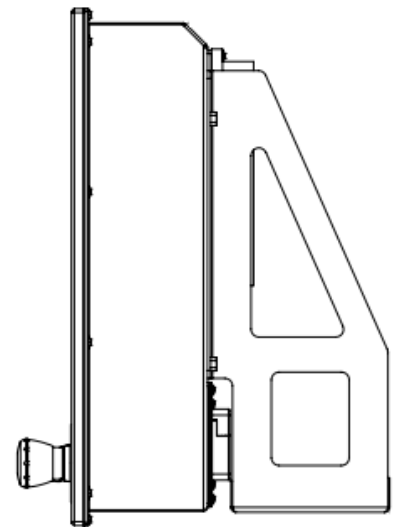
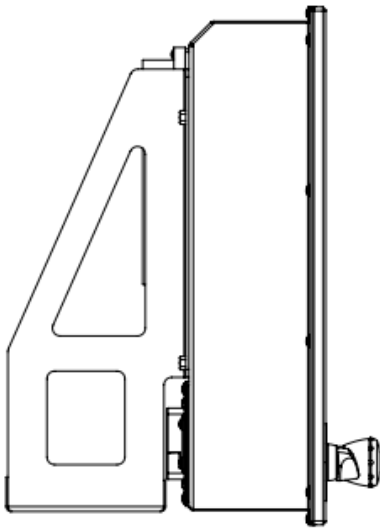
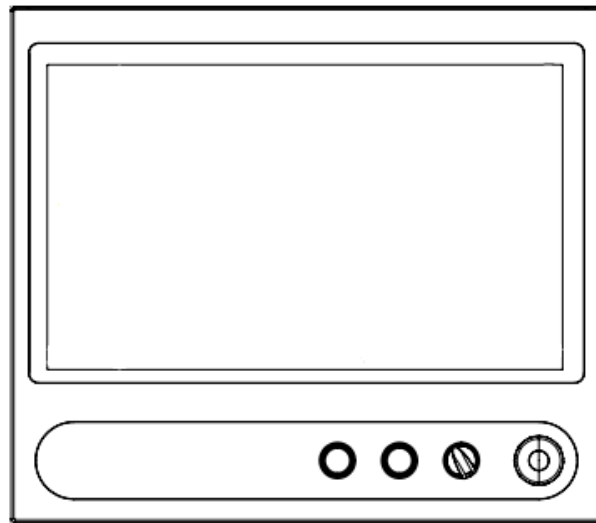
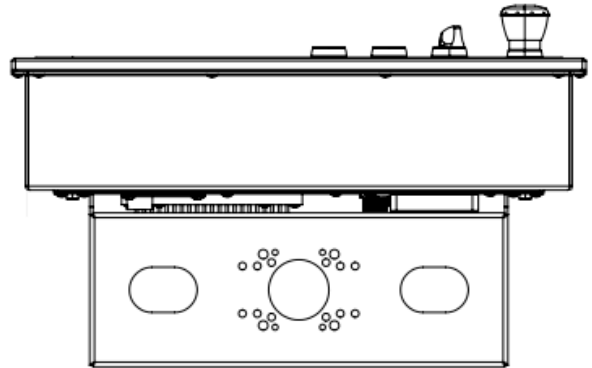
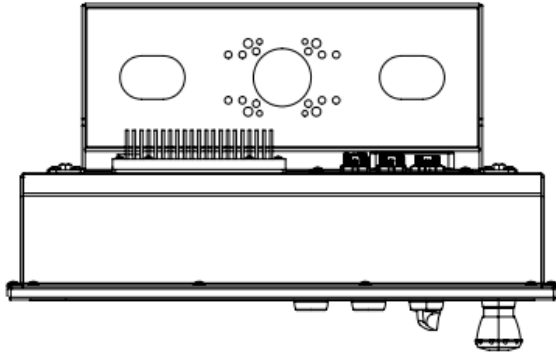
FPR Models - Buttons Along the Right Side				
Model Size	Bezel Height	Bezel Width	Depth	Weight
12.1"				
15.6"				
18.5"				
21.5"				
24"				

Contact Dynics for more details



MECHANICAL DRAWINGS

FPB Models - Buttons Along the Bottom

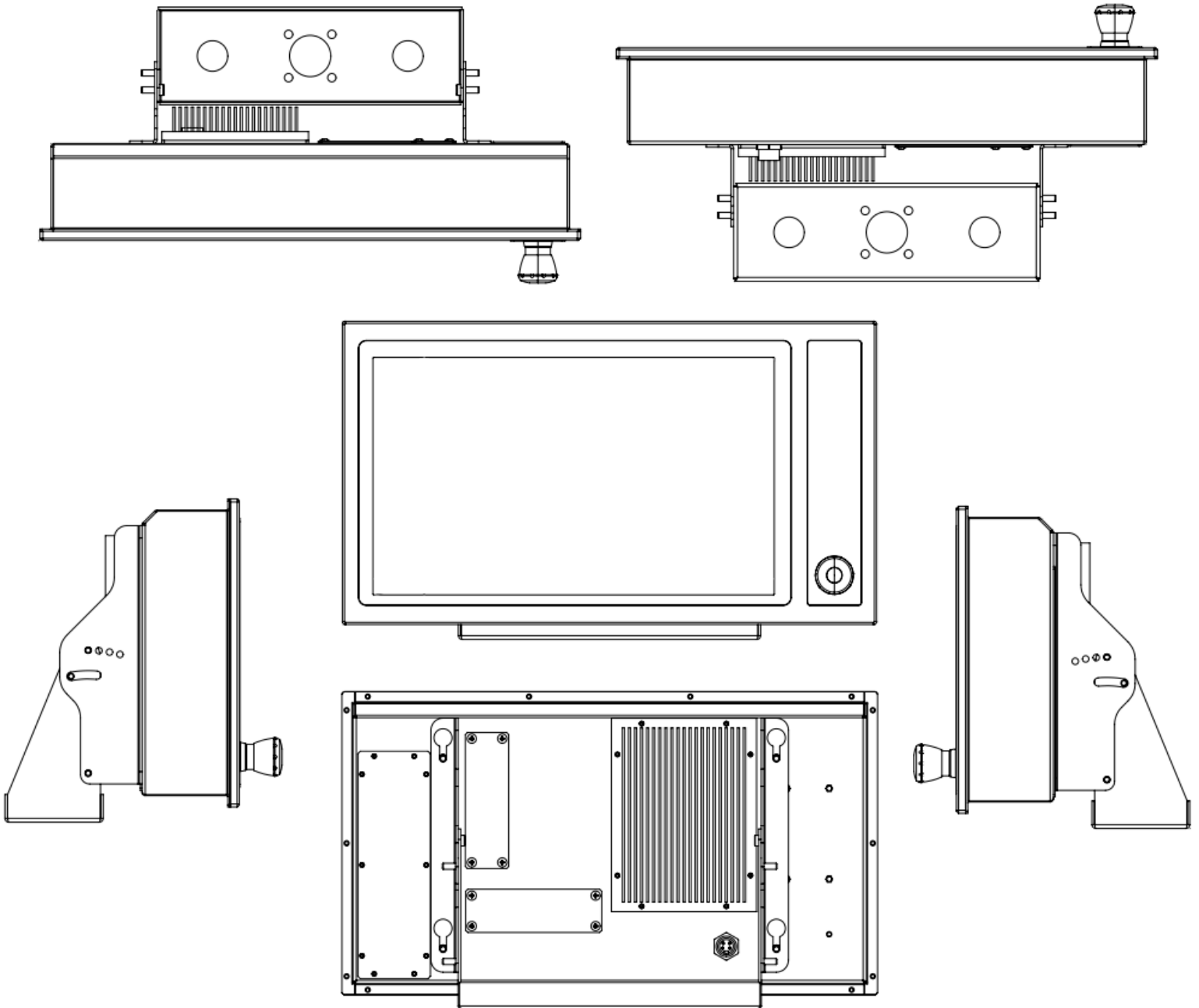




FlexPanel Pro SERIES

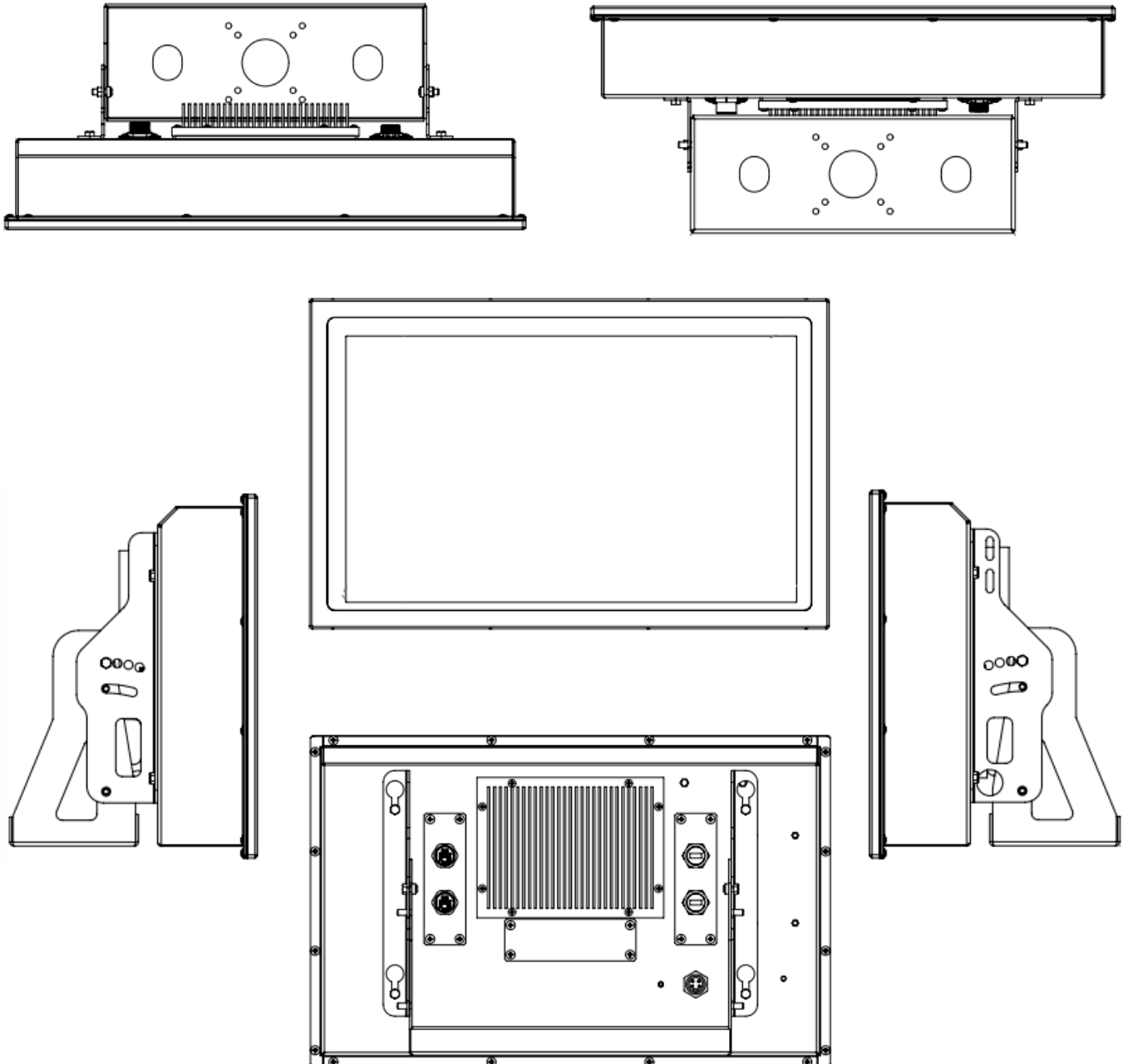
PRODUCT DATASHEET

FPR Models - Buttons Along the Right Side





FPN Models – No Buttons



*All measurements are in inches and pounds, unless noted. Pictures and drawings are not to scale. Estimated weight may change depending on options.
DYNICS Reserves the right to change, modify, upgrade, or discontinue any part of this datasheet without any prior notice.*